



Simple, efficient bag handling

The Cruncher[®] Bag Compactor provides a simple and efficient method of reducing bulky, dusty and discarded bags into a high density bundle which can be easily handled and disposed of without the mess and dust normally associated with a manual bag breaking operation. It can be easily fitted to Dynamic Air's "Bag Buster" Bag Breaker to provide a controlled atmosphere which makes it more tolerable to handle bagged material.

High density compacting

All bags taken into the compactor are compacted by a powerful hydraulic ram which will compact approximately 300 empty bags into a 16" x 24" x 36" high bale weighing approximately 180 lbs. depending on bag size.*

Versatile and cost saving

The Cruncher can be fitted as either a right hand or left hand unit. It saves considerable space and time while it reduces bag disposal costs and clean-up costs by efficiently containing both discarded bags and potential dusting conditions.

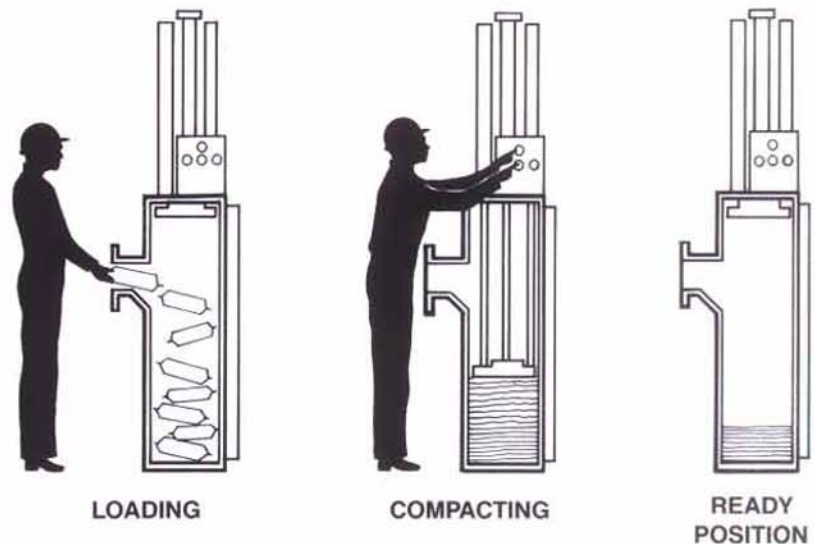
Features

- Powerful hydraulic action
- Quick release door
- Heavy duty ribbed housing
- Pre-assembled, ready to operate
- Mounts directly to 319 Bag Buster
- Low power requirements
- Safety two button operation
- Large inlet opening
- Compact design

How the Cruncher works

Loading mode: During loading mode, the operator may fill the compactor with empty bags by simply stuffing them through the inlet opening.

Compacting mode: To initialize the compacting mode, the operator must use two hands to start the hydraulic ram and compaction process. Should the operator release the start/stop button, the compaction operation stops immediately preventing any possibility of the operator getting hands into the compactor during operation.



Power requirements

Electrical supply: 120 volt, 60 cycle.
1 HP open drip motor

Construction features

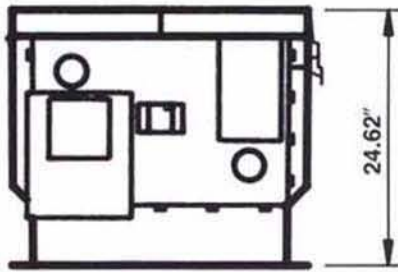
Mild steel construction
Stainless steel optional

Shipping weight

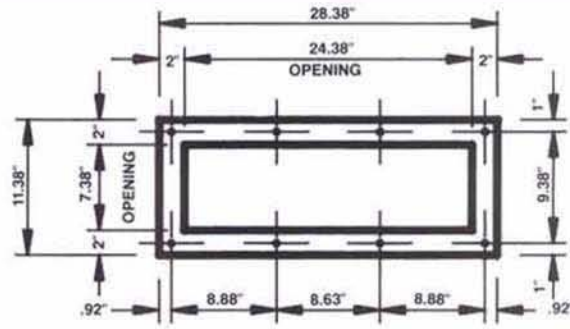
740 lbs., [336 kg]

Specifications are subject to change without notice.

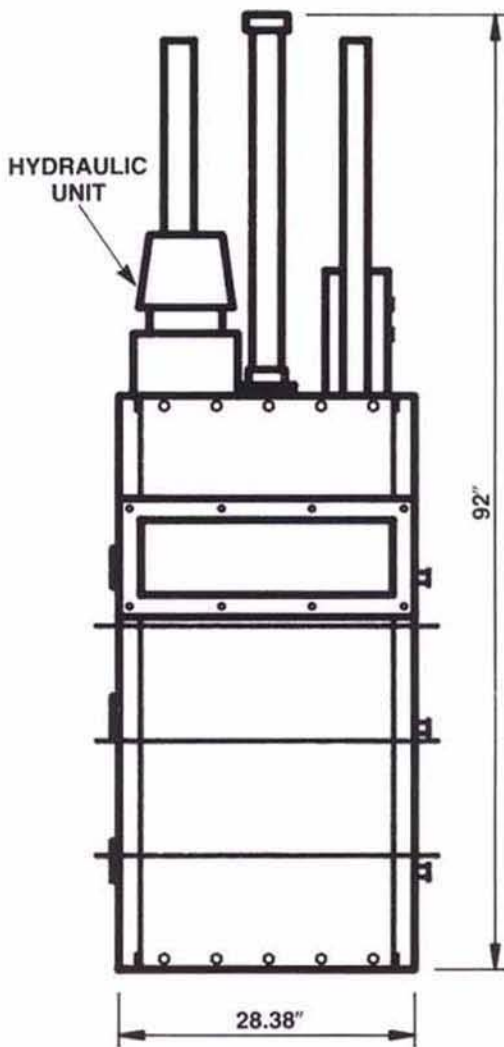
Dimensions



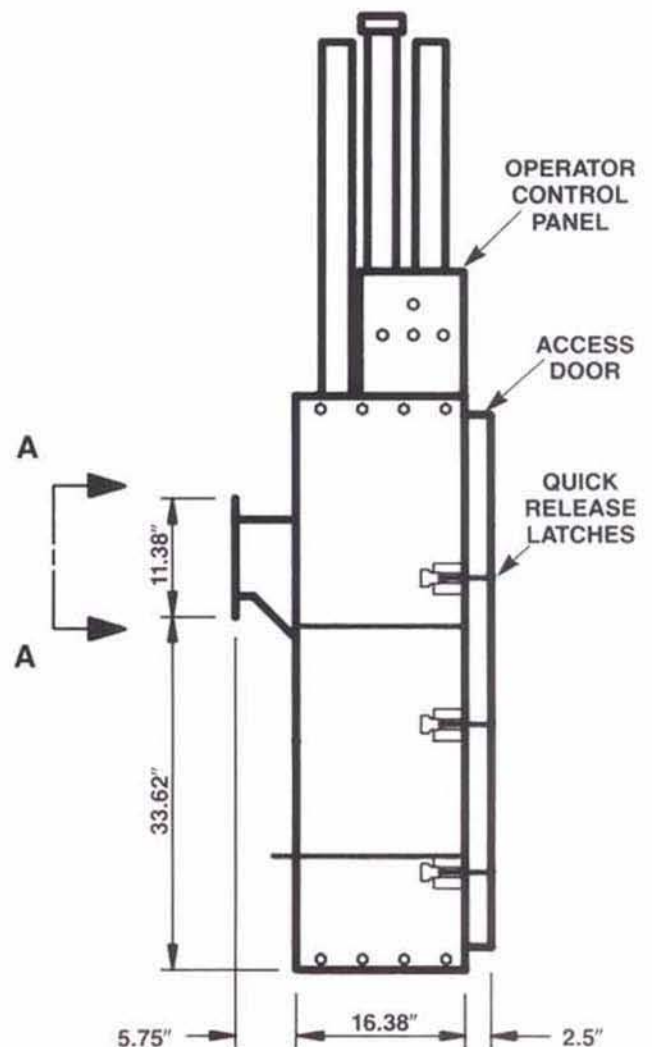
TOP VIEW



VIEW A-A
INLET OPENING



FRONT VIEW



SIDE VIEW

* The number of bags compacted will vary depending on type of bag, construction, etc. Testing facilities are available to determine exact compacting requirements.

Dynamic Air Conveying Systems® and CRUNCHER® are registered United States trademarks of Dynamic Air Inc., St. Paul, Minnesota. © 1993 Dynamic Air Inc.

DYNAMIC AIR[®]
Conveying Systems

Corporate Headquarters

Dynamic Air Inc., 1125 Willow Lake Blvd., St. Paul, MN 55110 U.S.A.
Phone (651) 484-2900 • Fax (651) 484-7015

United Kingdom

Dynamic Air Ltd., 26 Peverel Drive, Granby, Milton Keynes, MK1 1QZ
Phone +44 (0)1908 622344 • Fax +44 (0)1908 646633

www.dynamicair.com

Printed in U.S.A. • Bulletin 9310 (dm) (UK 3/08)