



## Double viewing ports

The Dynamic Air View-X<sup>®</sup> sight tube allows easy viewing of any type of material being conveyed in a pneumatic conveying system. It is designed with double viewing ports to allow more light for better viewing.

The viewing ports are constructed of clear plexiglass to make them almost indestructible and very safe. And they are contoured to the inside diameter of the conveying line so they will not affect the normal flow pattern of the material being conveyed. The quick-opening clamp which surrounds each viewing port assures ease in disassembly.

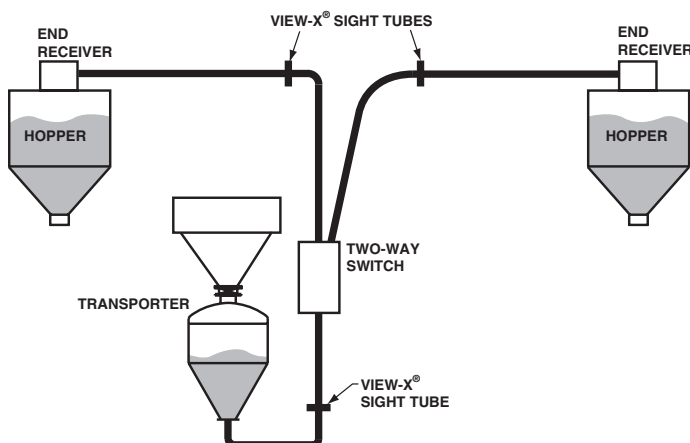
The sight tube is available in any conveying line size and can be constructed of mild steel, stainless steel or aluminum. It is designed to working pressures up to 150 PSIG and temperatures up to 120° Fahrenheit.

## Simple installation

Installation is simple. The View-X sight tube fits in any part of the conveying line in the same manner as the normal conveying piping.

The View-X sight tube is available with plain, ferruled or flanged ends to assure a custom fit to any conveying system.

## Typical application



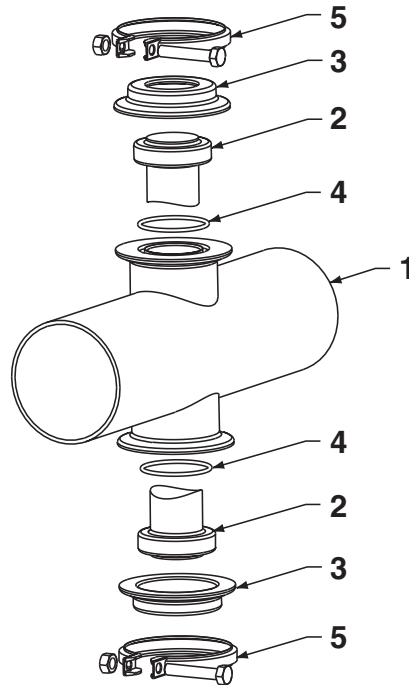
## Features:

- Durable plexiglass double viewports
- Quick and easy disassembly
- Available in any size of conveying line piping
- Available with plain, ferruled or flanged ends
- Pressures to 150 PSIG
- Temperatures to 120° Fahrenheit
- Full vacuum
- Optional food grade construction

## Options:

- Mild steel
- Stainless steel
- Polished stainless steel
- Plain end style
- Flanged end style
- Ferruled end style

Parts List	
Item No.	Description
1	Housing pipe
2	Clear plexiglass
3	Sight glass cap
4	O-ring
5	Clamp



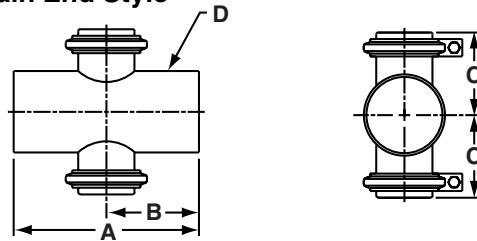
View-X Sight Tube  
Plain end style

## Dimensions and Specifications

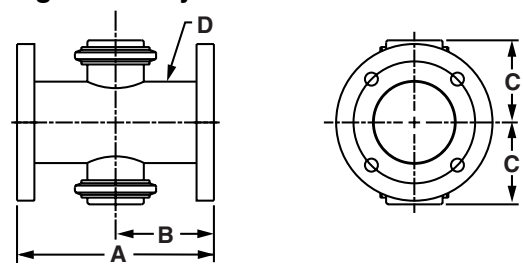
SIGHT TUBE DIMENSIONS - INCHES (MM)					
SIZE	END TYPE	A	B	C	D*
2 inch (51 mm)	PLAIN	9.50 (241)	4.75 (121)	3.00 (76)	2" PIPE
	FLANGED	9.50 (241)	4.75 (121)	3.00 (76)	2" PIPE
	FERRULED	6.00 (152)	3.00 (76)	3.00 (76)	2" TUBE
3 inch (76 mm)	PLAIN	9.50 (241)	4.75 (121)	3.75 (95)	3" PIPE
	FLANGED	9.50 (241)	4.75 (121)	3.75 (95)	3" PIPE
	FERRULED	6.00 (152)	3.00 (76)	3.75 (95)	3" TUBE
4 inch (102 mm)	PLAIN	9.50 (241)	4.75 (121)	4.25 (108)	4" PIPE
	FLANGED	9.50 (241)	4.75 (121)	4.25 (108)	4" PIPE
	FERRULED	6.00 (152)	3.00 (76)	4.25 (108)	4" TUBE
5 inch (127 mm)	PLAIN	11.50 (292)	5.75 (146)	4.75 (121)	5" PIPE
	FLANGED	11.50 (292)	5.75 (146)	4.75 (121)	5" PIPE
	FERRULED	CONSULT FACTORY		4.75 (121)	5" TUBE
6 inch (152 mm)	PLAIN	11.50 (292)	5.75 (146)	5.25 (133)	6" PIPE
	FLANGED	11.50 (292)	5.75 (146)	5.25 (133)	6" PIPE
	FERRULED	CONSULT FACTORY		5.25 (133)	6" TUBE
8 inch (203 mm)	PLAIN	12.00 (305)	6.00 (152)	6.25 (159)	8" PIPE
	FLANGED	12.00 (305)	6.00 (152)	6.25 (159)	8" PIPE
	FERRULED	CONSULT FACTORY		6.25 (159)	8" TUBE
10 inch (254 mm)	PLAIN	12.00 (305)	6.00 (152)	7.38 (187)	10" PIPE
	FLANGED	12.00 (305)	6.00 (152)	7.38 (187)	10" PIPE
	FERRULED	CONSULT FACTORY		7.38 (187)	10" TUBE

Custom sizes available upon request.

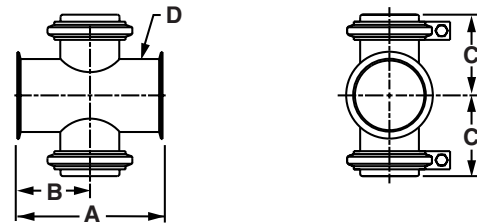
### Plain End Style



### Flanged End Style



### Ferruled End Style



Specifications subject to change without notice.

Dynamic Air Conveying Systems® and View-X® are U.S. registered trademarks of Dynamic Air Inc., St. Paul, MN USA.

© 2003, Dynamic Air Inc. • Printed in U.S.A.

Bulletin 9505-2 (dm)

**DYNAMIC AIR**  
Conveying Systems

Corporate Headquarters  
Dynamic Air Inc. • St. Paul, MN USA • +1 651 484-2900

Worldwide Offices  
Australia • Brazil • China • United Kingdom

www.dynamicaid.com