



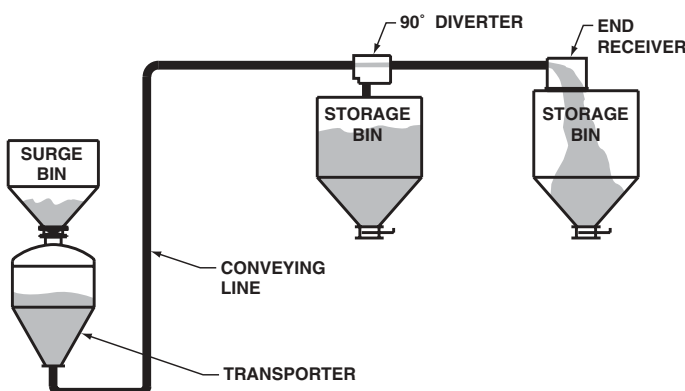
Compact, abrasion resistant

The Dynamic Air 90° Diverter is a reliable, low cost, compact and simple design of heavy duty construction. A positive rubber-to-rubber seal is created by the internal flapper which presses against the unused port. The seal improves as the conveying pressure increases, ensuring better performance against leakage in even the most severe dry bulk solids applications.

Features

- Abrasion resistant
- Positive sealing to 100 PSIG
- Full port design
- Economical
- Compact, low profile
- Low maintenance
- Position sensors standard

Typical Application



The 90° Diverter will convey:

- | | |
|---------------------|-------------------|
| ■ Alumina | ■ Fluorspar |
| ■ Ball clay | ■ Fly ash |
| ■ Barite | ■ Kaolin clay |
| ■ Bauxite | ■ Lime |
| ■ Bentonite | ■ Quartz |
| ■ Borax | ■ Silica sand |
| ■ Calcium carbonate | ■ Soda ash |
| ■ Cement | ■ Sodium sulfate |
| ■ Feldspar | ■ Sugar |
| ■ Fine coal | ■ Talc |
| | ■ And More |

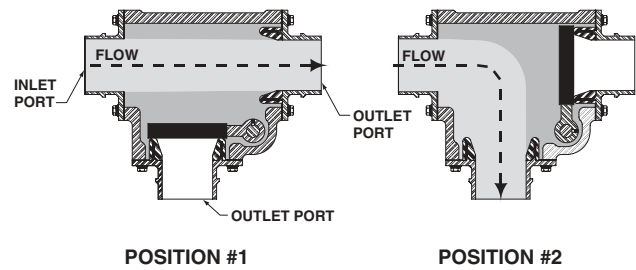
How the 90° Diverter works

When the 90° Diverter is in Position 1, the internal flapper pushes against the unused outlet port and material conveys straight through to the desired destination. The flapper, which is moved by an air operator, only has to provide enough pressure to provide an initial seal. The conveying pressure then generates additional sealing pressure to provide a tighter seal.

During conveying, a pocket of conveyed material is instantly formed in front of the flapper, creating a shield to help protect against abrasion or wear of the internal parts. This greatly diminishes wear and increases product life with most materials conveyed. A limit switch is provided to indicate positive verification of position during the conveying process.

Options

- Custom flapper and seal material
- Air operator mounted on either side of diverter
- Increased outlet port sizes
- Voltages (24 VDC, 220 VAC)
- Electric actuation



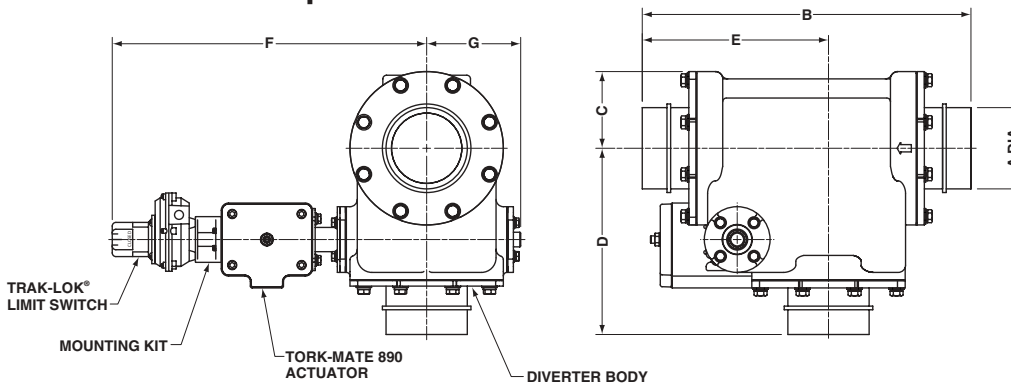
Construction features

The rugged one piece body of the 90° Diverter is made of heavy duty cast iron. Inlet and outlet seals are made using an extremely tough abrasion resistant rubber compound.

The air operator is a totally enclosed unit without external moving parts. It easily operates in harsh outside elements such as rain or snow.

All wearing components are easily replaceable without completely dismantling the diverter itself.

Dimensions and Specifications



| SERIES 237 DIMENSIONS | | | | | | | | |
|-----------------------|--------|--------|-------|--------|--------|--------|-------|----------|
| SIZE | A | B | C | D | E | F | G | SHIP WT. |
| 2-inch | 2.375" | 18.00" | 3.75" | 10.12" | 10.12" | 18.88" | 5.00" | 200 lbs. |
| 50mm | 60mm | 457mm | 95mm | 257mm | 257mm | 480mm | 127mm | 91kg |
| 3-inch | 3.50" | 18.00" | 3.75" | 10.12" | 10.12" | 18.88" | 5.00" | 200 lbs. |
| 75mm | 89mm | 457mm | 95mm | 257mm | 257mm | 480mm | 127mm | 91kg |
| 4-inch | 4.50" | 18.00" | 3.75" | 10.12" | 10.12" | 18.88" | 5.00" | 200 lbs. |
| 100mm | 114mm | 457mm | 95mm | 257mm | 257mm | 480mm | 127mm | 91kg |
| SERIES 229 DIMENSIONS | | | | | | | | |
| 4-inch | 4.50" | 22.50" | 5.25" | 12.75" | 12.75" | 21.50" | 6.44" | 250 lbs. |
| 100mm | 114mm | 572mm | 133mm | 324mm | 324mm | 546mm | 164mm | 113kgs |
| 5-inch | 5.56" | 22.50" | 5.25" | 12.75" | 12.75" | 21.50" | 6.44" | 250 lbs. |
| 125mm | 141mm | 572mm | 133mm | 324mm | 324mm | 546mm | 164mm | 113kgs |
| 6-inch | 6.63" | 22.50" | 5.25" | 12.75" | 12.75" | 21.50" | 6.44" | 250 lbs. |
| 150mm | 168mm | 572mm | 133mm | 324mm | 324mm | 546mm | 164mm | 113kgs |

| Standard Operating Characteristics | |
|------------------------------------|-------------------|
| Air supply | 1/4-inch NPT |
| | 80 to 115 PSIG |
| Operating voltage | 120 volt 60 cycle |
| | 110 volt 50 cycle |
| Operating temperature | 150° F |
| | 66° C |
| Pressure rating | 100 PSIG |
| | 6.9 barg |

Note: Series 229 and 237 90° Diverters are available with increased outlet ports. For example, a 2-inch diverter is available with 2-inch, 3-inch or 4-inch outlet ports.

Specifications subject to change without notice.

© 2006, Dynamic Air Inc. • Bulletin 9521-3 (dm)

Dynamic Air Conveying Systems® is a U.S. registered trademark of Dynamic Air Inc., St. Paul, MN USA.

DYNAMIC AIR[®]
Conveying Systems

Corporate Headquarters

Dynamic Air Inc. • St. Paul, MN USA • +1 651 484-2900

Worldwide Offices

Australia • Brazil • China • United Kingdom

www.dynamicair.com