

## Divert dusty, granular or abrasive material up to 15 positions without cross-contamination or dusting

The Rotary Spout automatically diverts granular materials from a single source, such as a pneumatic conveying system or a gravity feed chute, to as many as fifteen different bins, hoppers, or silos as required. The indexing spout slopes at a 60° angle to improve material flow and minimize material buildup at corners and seams. Welds are smooth so there are no dead spots for material to collect, making the Rotary Spout ideal for food products or other applications where cross-contamination is a major concern.

## Inflatable air seals eliminate dust problems

The heart of the Rotary Spout is its inflatable seal, which contains pressure to 15 PSIG as standard and up to 100 PSIG for special applications. These seals are located at the upper pivot point and at each of the outlet port connections.

When the main spout indexes to the desired port, both the top and bottom seals inflate, squeezing the spout from both directions to form a dust-tight pressure seal. The blind or unused ports are similarly sealed when the spout is not moving so hoppers and bins are not exposed to the atmosphere.

To index the spout to a new position, the seals are deflated, giving the indexing spout clearance to rotate freely 360° around the center support shaft with minimal friction and effort. The indexing spout is supported by a heavy-duty center shaft and bearing assembly.

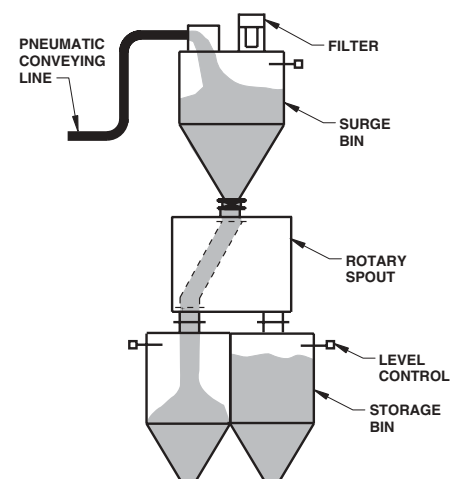
## Features

- Dust-tight design
- Positive indexing
- Positive inflatable air seals
- 60° spout angle
- Select up to 15 positions
- Fully enclosed

## The Rotary Spout will handle:

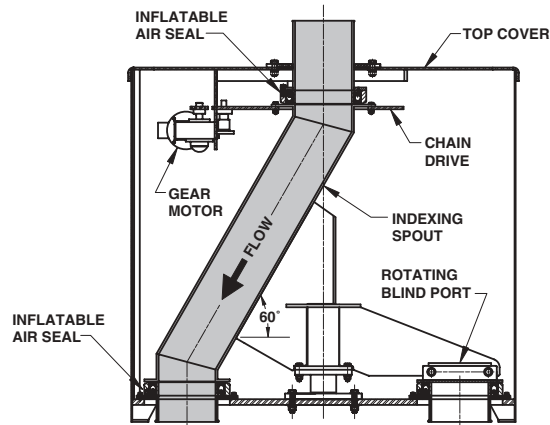
- |                     |               |                  |
|---------------------|---------------|------------------|
| ■ Alumina           | ■ Feldspar    | ■ Milk powder    |
| ■ Ball clay         | ■ Fine coal   | ■ PVC resin      |
| ■ Barite            | ■ Flour       | ■ Quartz         |
| ■ Bauxite           | ■ Fluorspar   | ■ Silica sand    |
| ■ Bentonite         | ■ Fly ash     | ■ Soda ash       |
| ■ Borax             | ■ Gypsum      | ■ Sodium sulfate |
| ■ Calcium carbonate | ■ Iron oxide  | ■ Sugar          |
| ■ Cement            | ■ Kaolin clay | ■ Talc           |
|                     | ■ Lime        | ■ And More       |

## Typical Application

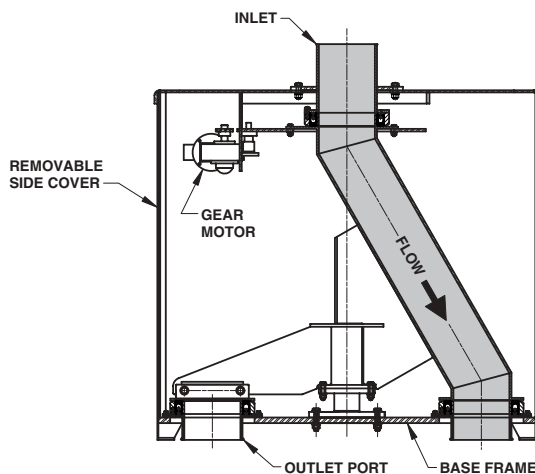


## How the Rotary Spout works

The indexing spout rotates 360°, powered by a gear motor and chain drive. A limit switch is activated to allow the indexing spout to stop at the desired position (Position 1). The air seals are then inflated to provide a pressure-tight connection at both ends of the indexing spout and on the blind or unused ports. When the spout is moved to any of the other positions, the air seals first deflate. The spout is then allowed to rotate to the next position and the sequence is repeated (Position 2).



Position 1



Position 2

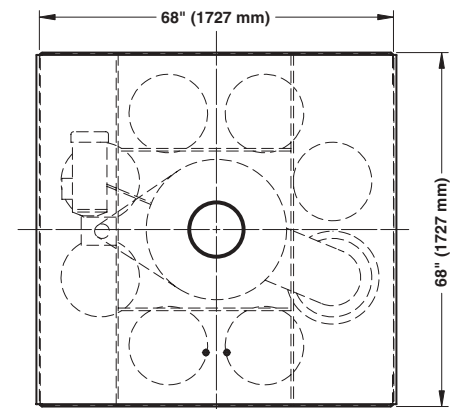
## Options

- Stainless steel or aluminum construction
- Number of outlet ports
- Custom size ports
- Explosion proof
- Special motors
- High temperature
- Flange connections
- Electrical control panel
- Spout angle

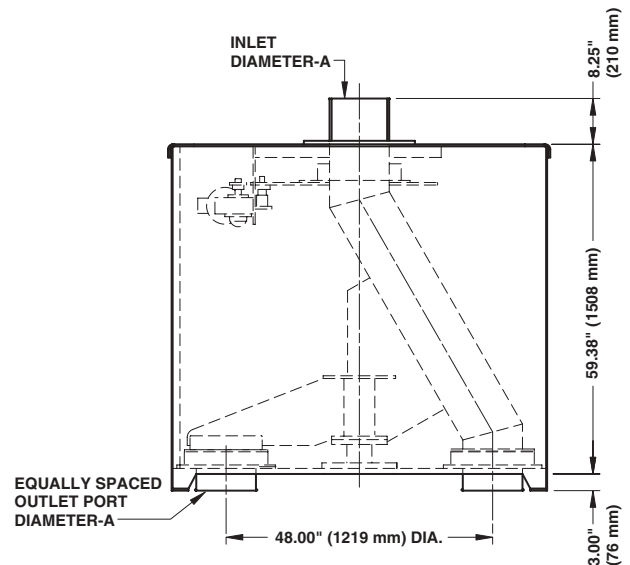
*Dynamic Air Conveying Systems® is a U.S. registered trademark of Dynamic Air Inc., St. Paul, MN USA.*

© 2006, Dynamic Air Inc. • Printed in U.S.A. • Bulletin 9706-3 (dm)

## Dimensions and Specifications\*



Top View (10" - 8 Position)



Side View (10" - 8 Position)

A - Nominal sizes available: 6" (150 mm), 8" (200mm), 10" (250mm), 12" (300mm), 14" (350mm), 16" (400mm), 18" (450mm) and 20" (500mm). Custom sizes available upon request.

## Power requirements

Air supply: 90-100 PSIG (6.2 to 6.9 barg)

Electrical supply: 230/460 volt, 3 phase, 60 hertz; 120 volt, single phase, 60 hertz

## Estimated Shipping weight

10" - 8 position model - 2815 pounds (1277 kg)

## Operating temperature

150° F (66° C)

\*Dimensions and specifications are general in nature only and will vary according to size and configuration and are subject to change without notice.

**DYNAMIC AIR**<sup>®</sup>  
Conveying Systems

## Corporate Headquarters

Dynamic Air Inc. • St. Paul, MN USA • +1 651 484-2900

## Worldwide Offices

Australia • Brazil • China • United Kingdom

[www.dynamicair.com](http://www.dynamicair.com)