

Vibratory Bin Discharger



Gyratory motion for more effective discharging of stored material

The Dynamic Air vibratory bin discharger is designed to greatly improve the gravity discharging process of difficult-to-handle dry bulk solids which tend to bridge or rathole in storage silos, bins and/or hoppers.

The primary feature of the Dynamic Air vibratory bin discharger is that it imparts a gyratory motion for a better activation of the stored material. In addition, the suspension mountings are designed to allow optimum gyratory motion without restriction in any axis, creating a better and more efficient transfer of energy from the activation dome to the stored materials. As an added benefit, when the gyratory motion is combined with the unique trough design, a larger material volume is activated and the result is more effective discharging without locking up.

The Dynamic Air vibratory bin discharger is ideal for almost any stored dry bulk granular material, from very fine to very coarse. Ask for a test to determine just how effective the Dynamic Air vibratory bin discharger can be on your difficult material.

Engineering Specifications

Motors

- Standard: 230/460 volt totally enclosed non-ventilated
- Optional: Explosion proof class 1 group D
Class 2 group F & G
Special voltages

Outlet sizes

Based upon flow rate or custom requirements

Finishes

- Standard: Gray enamel (external & internal)
- Custom: Available upon request

Material of Construction

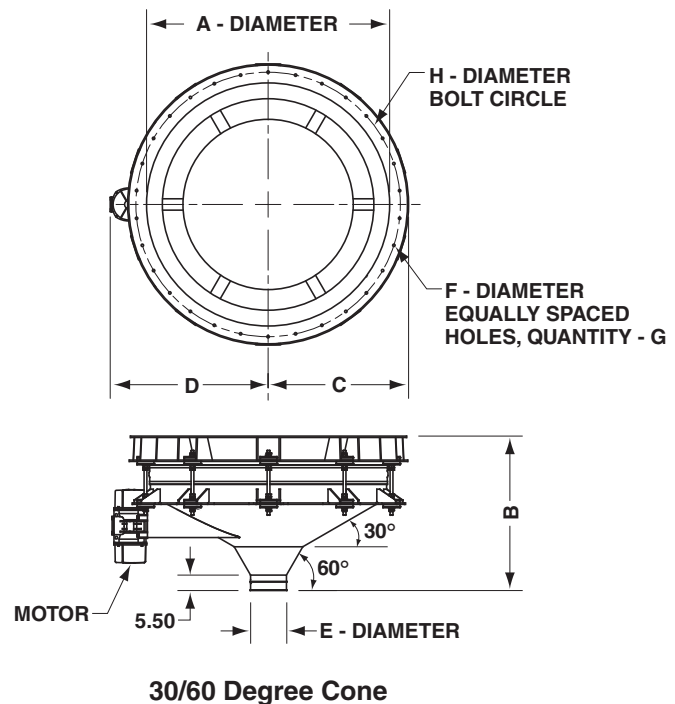
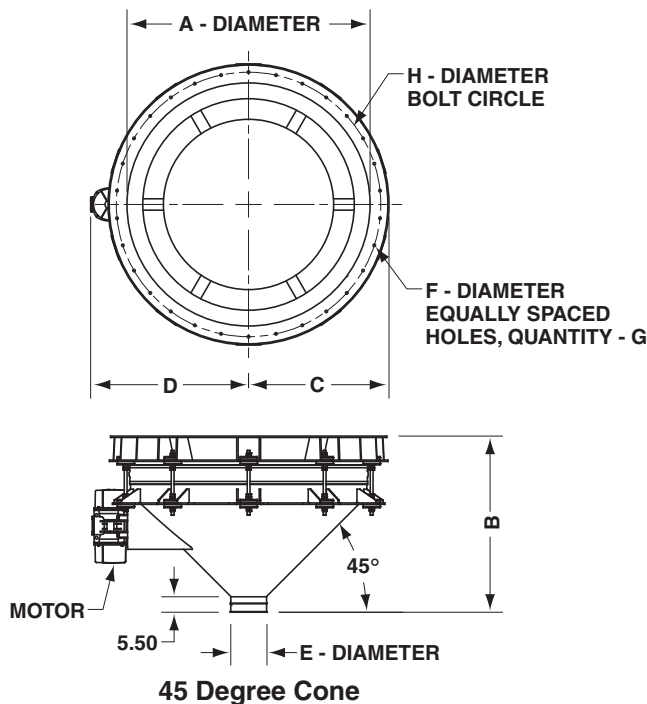
- Standard: Mild steel
- Custom: 304 or 316 Stainless steel

Flexible Sleeves

- Black or white reinforced EPDM
- Reinforced white silicone
- Reinforced nylon

Vibratory Bin Discharger

Dimensions & Specifications



Model	45 Degree Cone Dimensions in inches (mm)								Approx. Ship Weight in lbs (kg)
	A	B	C	D	E	F	G	H	
902-30	30 (762)	38.5 (978)	18 (457)	23.0(584)	8 (203)	0.63 (16)	11	33 (838)	480 (218)
902-36	36 (914)	41.5 (1054)	21 (533)	26.0 (660)	8 (203)	0.63 (16)	15	39 (991)	575 (261)
902-48	48 (1219)	46.5 (1181)	28 (711)	33.0 (838)	10 (254)	0.63 (16)	19	52 (1321)	750 (340)
902-60	60 (1524)	52.5 (1334)	34 (864)	40.5 (1029)	10 (254)	0.75 (19)	22	64 (1626)	1025 (465)
902-72	72 (1829)	57.5 (1461)	42 (1067)	48.5 (1232)	12 (305)	0.75 (19)	30	78 (1981)	1550 (703)
902-84	84 (2134)	63.5 (1613)	48 (1219)	54.5 (1384)	12 (305)	0.75 (19)	37	90 (2286)	2000 (907)
902-96	96 (2438)	68.5 (1740)	54 (1372)	60.5 (1537)	14 (356)	0.75 (19)	45	102 (2591)	2675 (1213)
902-108	108 (2743)	74.5 (1892)	60 (1524)	66.5 (1689)	14 (356)	0.75 (19)	51	114 (2896)	3350 (1520)
902-120	120 (3048)	80.5 (2045)	66 (1676)	72.5 (1842)	14 (356)	0.88 (22)	58	126 (3200)	4200 (1905)
902-132	132 (3353)	86.5 (2197)	72 (1829)	80.5 (2045)	14 (356)	0.88 (22)	65	138 (3505)	5200 (2359)
902-144	144 (3658)	92.5 (2350)	78 (1981)	86.5 (2197)	14 (356)	0.88 (22)	72	150 (3810)	6000 (2722)
Model	30/60 Degree Cone Dimensions in inches (mm)								Approx. Ship Weight in lbs (kg)
	A	B	C	D	E	F	G	H	
932-30	30 (762)	32.5 (826)	18 (457)	23.0 (584)	8 (203)	0.63 (16)	11	33 (838)	480 (218)
932-36	36 (914)	36.5 (927)	21 (533)	26.0 (660)	8 (203)	0.63 (16)	15	39 (991)	575 (261)
932-48	48 (1219)	40.5 (1029)	28 (711)	33.0 (838)	10 (254)	0.63 (16)	19	52 (1321)	750 (340)
932-60	60 (1524)	45.0 (1143)	34 (864)	40.5 (1029)	10 (254)	0.75 (19)	22	64 (1626)	1025 (465)
932-72	72 (1829)	53.0 (1346)	42 (1067)	48.5 (1232)	12 (305)	0.75 (19)	30	78 (1981)	1500 (680)
932-84	84 (2134)	56.5 (1435)	48 (1219)	54.5 (1384)	12 (305)	0.75 (19)	37	90 (2286)	1950 (885)
932-96	96 (2438)	65.0 (1651)	54 (1372)	60.5 (1537)	14 (356)	0.75 (19)	45	102 (2591)	2600 (1179)
932-108	108 (2743)	73.0 (1854)	60 (1524)	66.5 (1689)	14 (356)	0.75 (19)	51	114 (2896)	3200 (1451)
932-120	120 (3048)	80.5 (2045)	66 (1676)	72.5 (1842)	14 (356)	0.88 (22)	58	126 (3200)	4025 (1826)
932-132	132 (3353)	88.5 (2248)	72 (1829)	80.5 (2045)	14 (356)	0.88 (22)	65	138 (3505)	4925 (2234)
932-144	144 (3658)	96.5 (2451)	78 (1981)	86.5 (2197)	14 (356)	0.88 (22)	72	150 (3810)	5725 (2597)

Dimensions and specifications subject to change without notice.

Dynamic Air Conveying Systems® is a registered trademark of Dynamic Air Inc., St. Paul, Minnesota.

U.S. and Foreign Patents Pending.

© 2018, Dynamic Air Inc.

Bulletin K101106-5 (dm2) • Printed in the USA

DYNAMIC AIR[®]
Conveying Systems

Corporate Headquarters

Dynamic Air Inc. • St. Paul, MN USA • +1 651 484-2900

Worldwide Offices

Brazil • China • United Kingdom

www.dynamicair.com